

Air intake SOFFIT



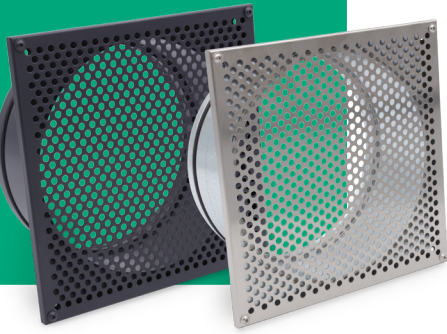
Protective mesh



Connection duct
with a seal



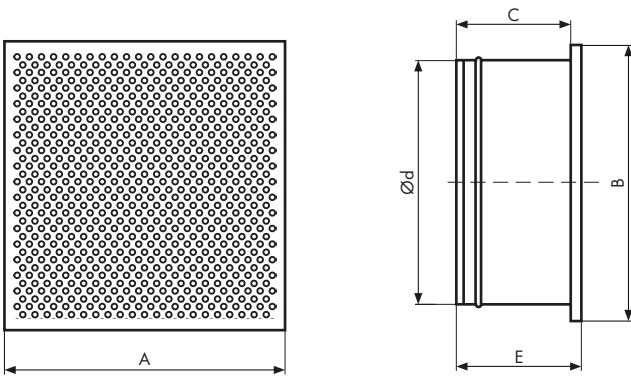
Mounting holes



Description

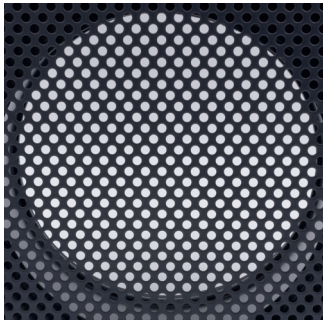
Air intake adapted for installation in the SOFFIT. The SOFFIT is designed to terminate intake channels in mechanical ventilation systems with heat recovery. It provides protection against adverse weather conditions. The connection duct is equipped with a seal. Two design options are available: graphite and polished steel.

Technical drawing



Dimensions [mm]

Model	A	B	C	Ød	E
SOFFIT 160	197,4	197,4	91	158,4	101,4
SOFFIT 200	227,4	227,4	91	197,85	101,4
SOFFIT 250	277,4	277,4	91	247,3	101,4



Inlet and outlet protected by mesh



Connection duct with a seal



Pre-made mounting holes