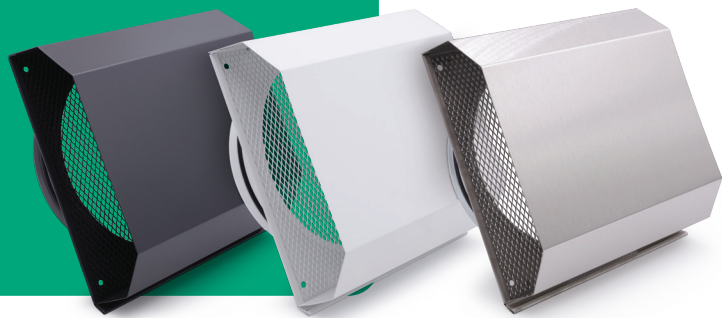


## Air intake TRAPEZOIDAL



Hood protecting the facade



Protective mesh



Connection duct with a seal

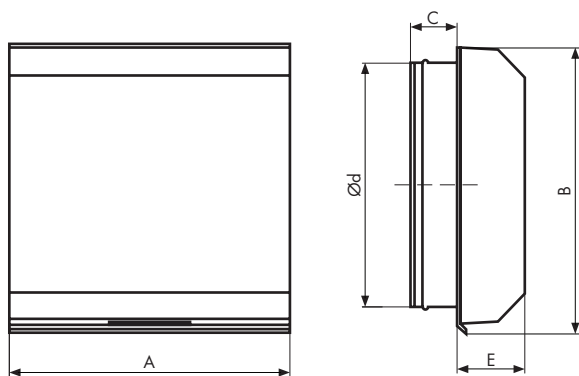


Mounting holes

### Description

Trapezoidal wall mounted air intake HAVACO. The modern-looking air intake aesthetically complements the facade of new buildings. It provides protection against adverse weather conditions and is equipped with a hood to prevent dirt from affecting the facade. The connection duct is fitted with a gasket. Three design options are available: white (RAL 9003), graphite, and polished steel.

### Technical drawing

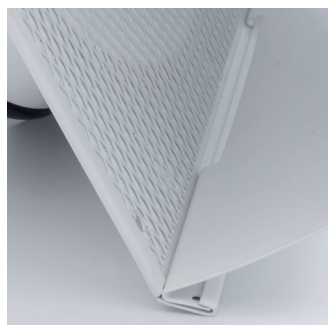


### Dimensions [mm]

Model	A	B	C	Ød	E
Trapezoidal 160	200	214	60	158,5	85,5
Trapezoidal 200	240	254	60	197,9	85,5
Trapezoidal 250	290	304	60	247,8	85,5
Trapezoidal 315	355	368,8	60	312,8	85,5



Inlet and outlet protected by mesh



Hood protecting the facade from dirt



Connection duct with a seal



Pre-made mounting holes