



## Air valves SV-SC, EV-SC



Top quality galvanised steel  
275 g/m<sup>2</sup>



Powder-coated in white color  
RAL 9016



Mounting frame included



National Technical Assessment

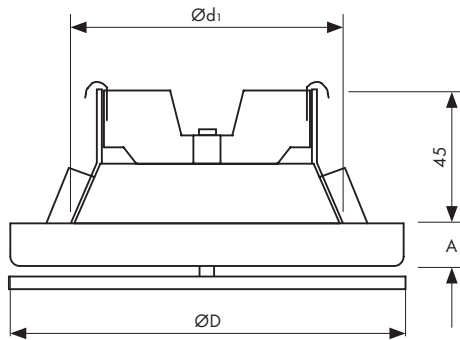
### Description SV-SC

Supply air valve is designed for ceiling mounting. In set with mounting frame. Made of galvanised steel, powder coated, finished in colour RAL 9016. Worth mentioning is **special design additionally damped with soundproof material**, ensuring low noise level. Smooth supply air regulation by means of a rotating central disc. The valve is equipped with a locking nut allowing set a minimum gap. Product is characterised by high quality and great care of detail. Assembly directly on a duct or on a plenum box.

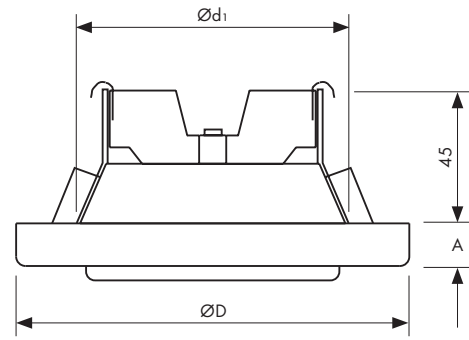
### Description EV-SC

Exhaust air valve is designed for ceiling mounting. In set with a mounting frame. Made of galvanised steel, powder coated, finished in colour RAL 9016. Smooth supply air regulation by means of a rotating central disc. The valve is equipped with a locking nut allowing set a minimum gap. Product is characterised by high quality and great care of detail. Assembly directly on a duct or on a plenum box.

### Technical drawing SV-SC (air supply)



### Technical drawing EV-SC (air exhaust)



### Dimensions SV-SC [mm]

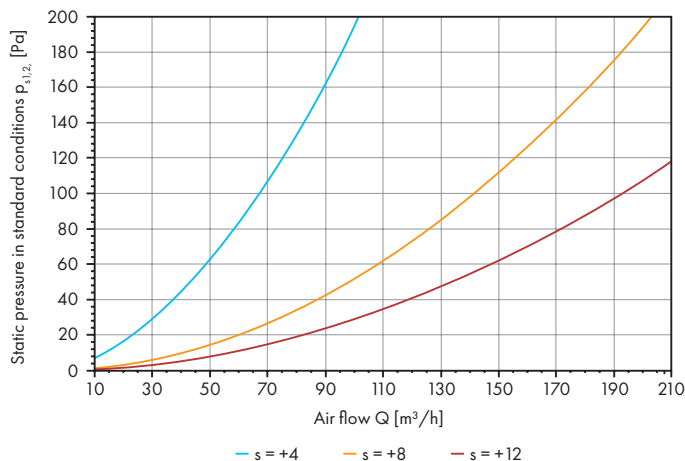
Model	ØD	Ød <sub>1</sub>	A
SV-SC 100	135	100	15
SV-SC 125	160	125	15
SV-SC 160	191	160	15
SV-SC 200	230	199	15

### Dimensions EV-SC [mm]

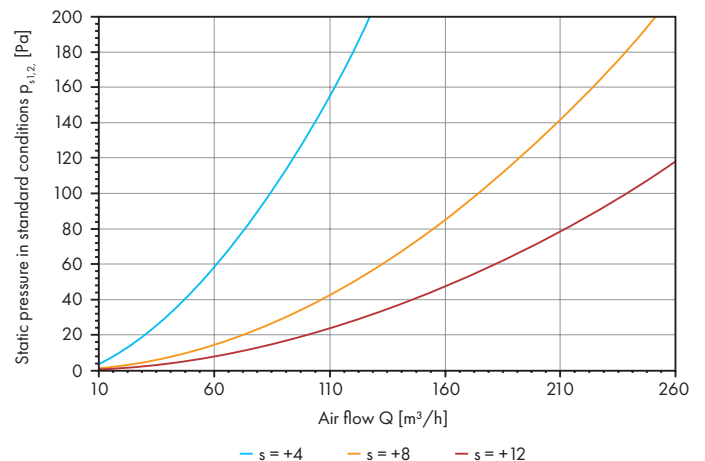
Model	ØD	Ød <sub>1</sub>	A
EV-SC 100	135	100	15
EV-SC 125	160	125	15
EV-SC 160	191	160	15
EV-SC 200	230	199	15

### The relationship between static pressure and air volume flow for air diffusers with different slot widths.

#### SV-SC 100

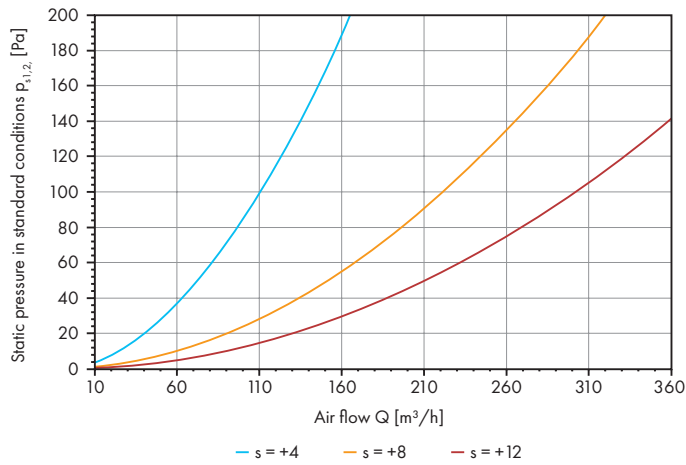


#### SV-SC 125

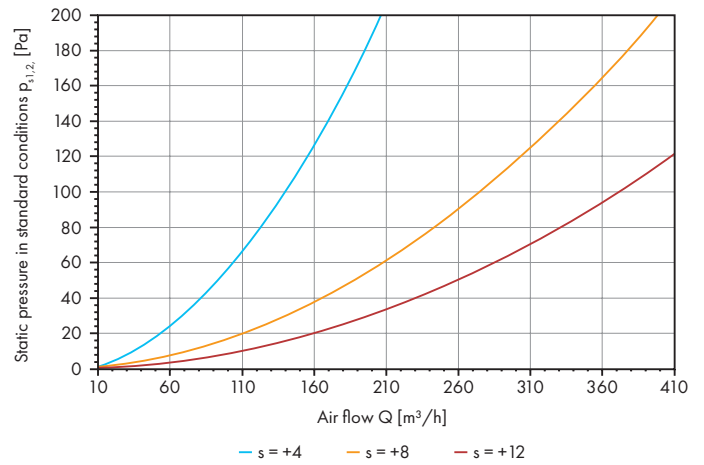


The relationship between static pressure and air volume flow for air diffusers with different slot widths.

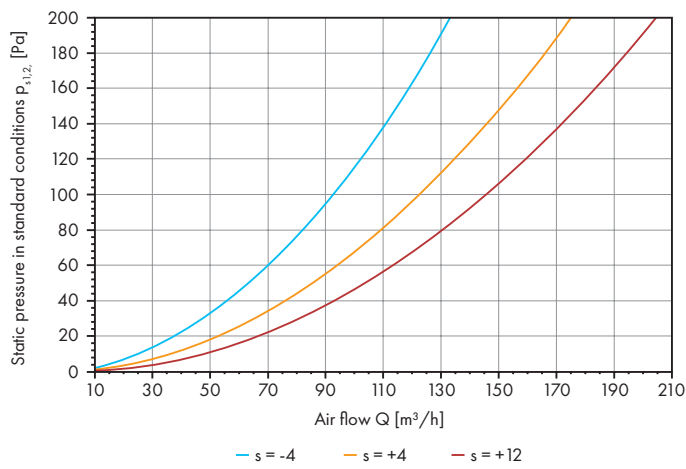
SV-SC 160



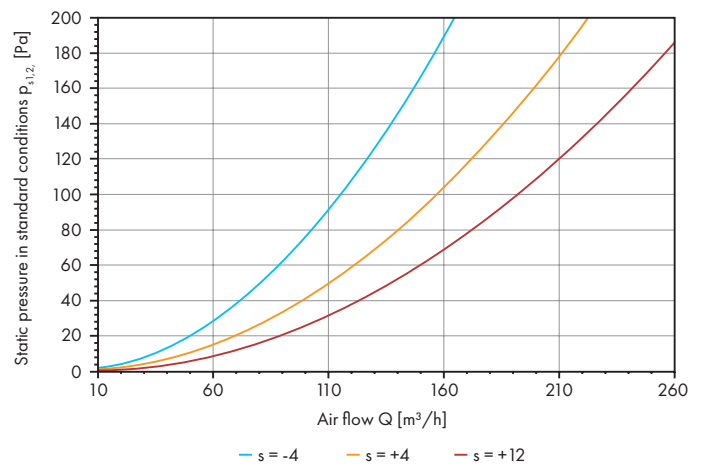
SV-SC 200



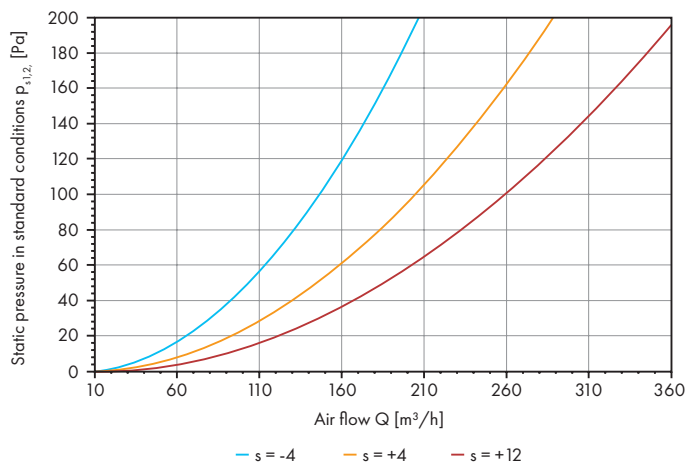
EV-SC 100



EV-SC 125



EV-SC 160



EV-SC 200

