



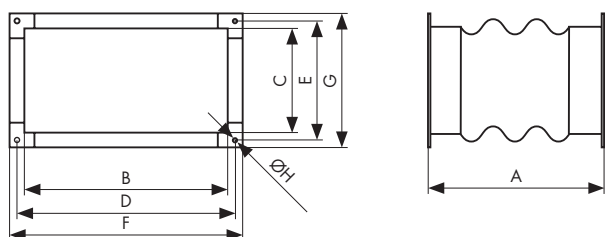
Anti-vibration connectors for fans with rectangular connection

REC

Description

Connector prevents vibration transport from unit to installation resulting in lower noise level. As standard, the connector is made of galvanised metal sheet. Connectors made of acid-resistant metal sheet and with higher temperature resistance are available on request. A standard flexible connector made from PVC material, with custom options available in Neoprene or Silicone material.

Technical drawing



Dimensions [mm]

Model	A	B	C	D	E	F	G	ØH
REC-3015	150	300	148	320	170	340	190	9
REC-4020	150	400	198	440	220	440	240	9
REC-5025	150	500	248	520	270	540	290	9
REC-6030	150	600	298	620	320	640	340	9
REC-6035	150	600	348	620	370	640	390	9
REC-7040	150	700	398	720	420	740	440	9
REC-8050	150	800	498	820	520	840	540	9
REC-10050	150	1000	498	1020	520	1040	540	9



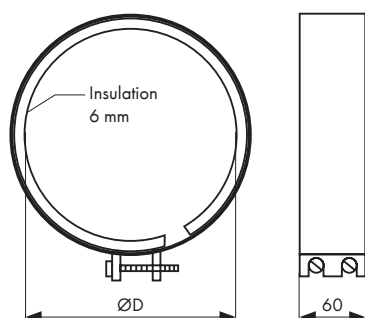
Fastening clamp

PCC

Description

Fastening clamps "PCC" are designed to connect ventilation components, which require removal, without the need to dismantle most of the installation, i.e. fan disassembly. They are also used as additional sealing wire connections. As standard, the interior is covered with polyurethane foam.

Technical drawing



Dimensions [mm]

Model	ØD	Model	ØD
PCC 100	100	PCC 315	315
PCC 125	125	PCC 355	355
PCC 160	160	PCC 400	400
PCC 200	200	PCC 450	450
PCC 250	250	PCC 500	500