



Radial fans CLA



Aluminum cover



Dynamically balanced



Adapted for voltage regulation



Powder-coated cover



IP 44 protection class

Design

Direct drive radial fan. Steel cover, welded, powder coated. Rotor forward curved blades, made of galvanised sheet, dynamically balanced.

Usage

Thanks to its compact and compact design, CLA fans are ideal for cooling installations of control cabinets, electric motors, as well as for blowing installations for boilers C.O.

Technical specifications

Model	Air flow [m ³ /h]	Impeller speed [rpm]	Power [W]	Current [A]	Voltage [V]	Frequency [Hz]	Capacitor [µF]	Sound pressure level [dB(A)]	Weight [kg]	Controller HRX	Controller HRB
CLA-120/380 M	290	2400	85	0,38	230	50	2,5	45	2,8	1,0	1,5
CLA-140/590 M	485	2300	138	0,61	230	50	4,0	47	3,4	1,0	1,5
CLA-160/720 M	600	2250	200	0,88	230	50	6,0	50	4,3	2,5	1,5

Sound pressure level measured at 3m.

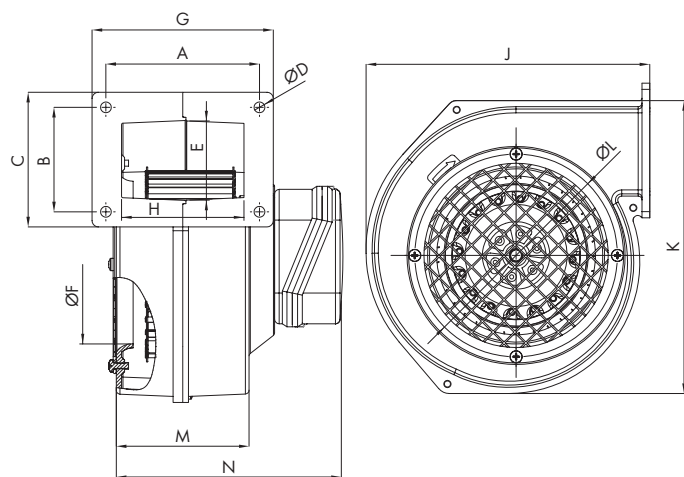
Electric motor

Motor with rotating stator, powered by single phase current 230V, 50Hz. Suitable for voltage regulation. Protection class IP 44, insulation class B.

Operating temperature

The fan is designed to transmit air with a temperature not exceeding 50°C.

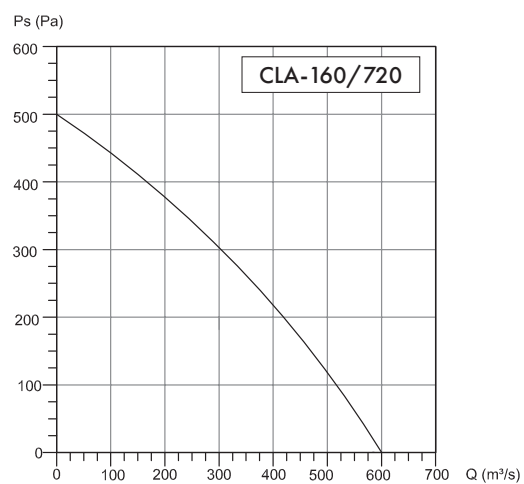
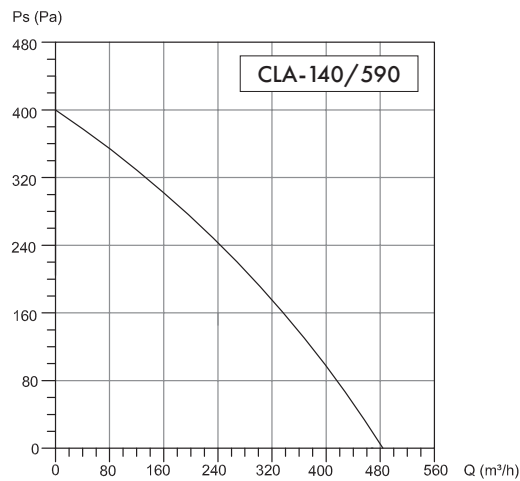
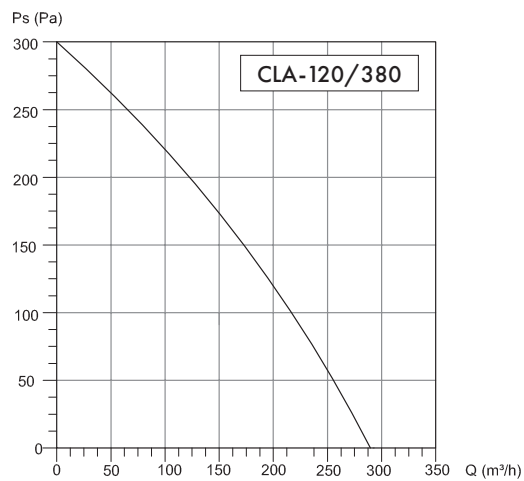
Technical drawing



Dimensions [mm]

Model	A	B	C	D	E	F	G	H	J	K	L	M	N
CLA-120/380 M	99	67,5	88	7	49	103,5	118,5	80,0	190	184	132,0	87	145
CLA-140/590 M	123	84	125	7	78	110,0	154,0	79,0	197	203	144,5	100	151
CLA-160/720 M	114	105	120	7	90	117,5	130,0	93,5	229	248	158,0	100	135

Characteristics



Accessories



HRX

Electronic speed controller
page 174



HRB

Transformer speed controller
page 176



WSH

Service switch
page 177