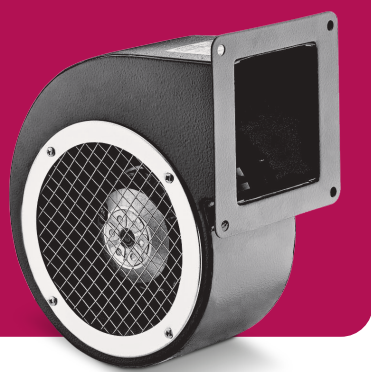


# Radial fans CLB



Steel cover



Dynamically balanced



Adapted for voltage regulation

## Design

Direct drive radial fan. Steel cover, welded, powder coated. Rotor forward curved blades, made of galvanised sheet, dynamically balanced.

## Usage

CLB fans are designed for blow-off installations for C.O. boilers, but they are equally ideal for cooling electronic components, laboratory and residential installations.

## Technical specifications

Model	Air flow [m <sup>3</sup> /h]	Impeller speed [rpm]	Power [W]	Current [A]	Voltage [V]	Frequency [Hz]	Capacitor [μF]	Sound pressure level [dB(A)]	Weight [kg]	Controller HRX	Controller HRB
CLB-125/250 M	250	2450	80	0,35	230	50	2,5	42	2,3	1,0	1,5
CLB-120/380 M	275	2250	85	0,38	230	50	2,5	46	2,5	1,0	1,5
CLB-140/600 M	485	2300	138	0,61	230	50	4,0	48	3,2	1,0	1,5
CLB-160/750 M	600	2250	200	0,88	230	50	6,0	52	4,3	2,5	1,5

Sound pressure level measured at 3m.

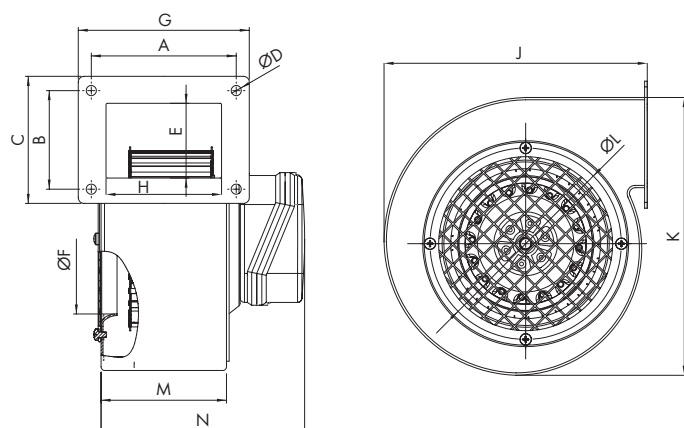
## Electric motor

Motor with rotating stator, powered by single phase current 230V, 50Hz. Suitable for voltage regulation. Protection class IP 44, insulation class B.

## Operating temperature

The fan is designed to transmit air with a temperature not exceeding 50°C.

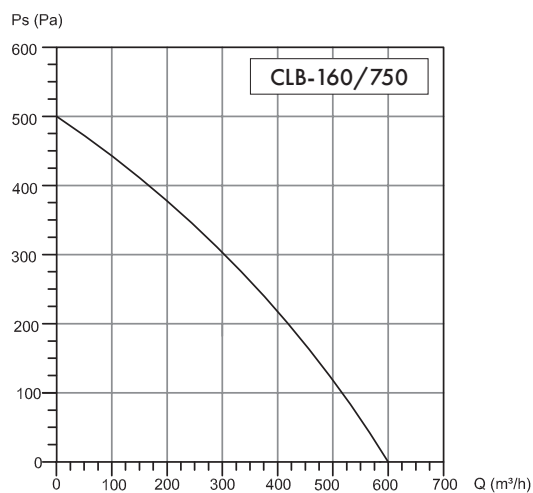
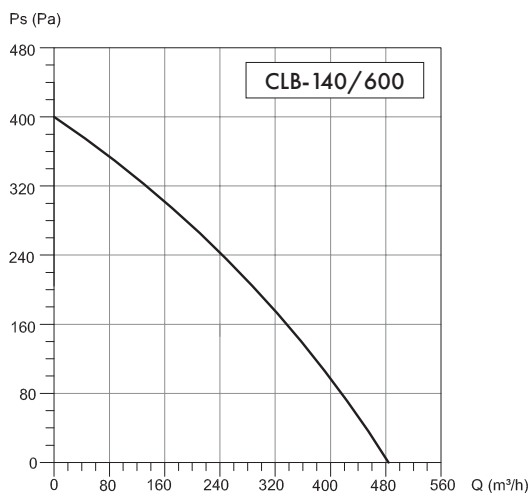
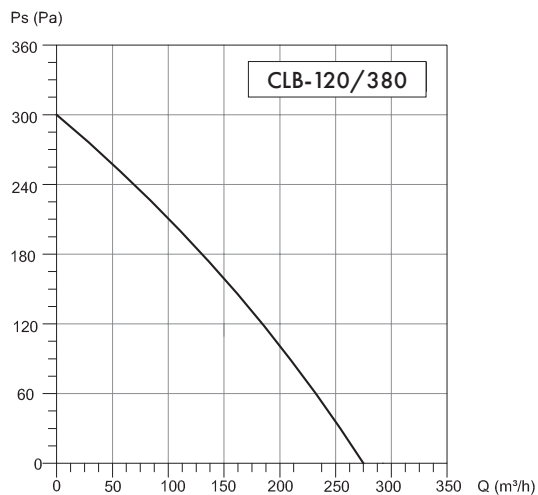
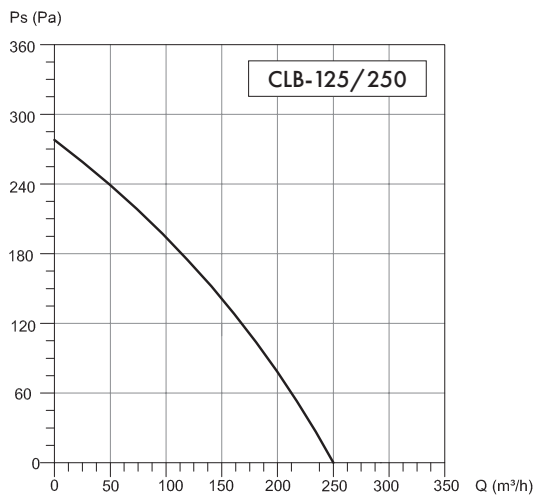
## Technical drawing



## Dimensions [mm]

Model	A	B	C	D	E	F	G	H	J	K	L	M	N
CLB-125/250 M	77,0	72,0	88,0	5	62,0	98,0	86,0	66,0	170	180	128	66	94
CLB-120/380 M	98,5	68,5	100,0	5	68,5	97,5	115,5	81,0	173	183	133	83	134
CLB-140/600 M	112,0	112,0	129,3	5	91,5	112,0	129,0	83,5	206	216	151	86	133
CLB-160/750 M	112,0	112,0	129,3	5	92,5	130,0	129,0	84,0	270	260	165	86	133

## Characteristics



## Accessories



**HRX**  
Electronic speed controller  
page 174



**HRB**  
Transformer speed controller  
page 176



**WSH**  
Service switch  
page 177