

Electric heaters ERH



Steel cover with
aluzinc coating



Two-stage overheating
protection



IP 44 protection
class

Description

ERH is an electric duct heater **without built-in automation**. The heating power of the heater can be adjusted via an external HRK controller. ERH heaters are designed for installation in rectangular ducts. Heating power range: 6.0 to 66.0 kW.

Each heater has a two-stage overheating protection:

I stage at 50°C - automatic reset.

II stage at 100°C – manual reset required.

Usage

Duct heaters are used to heat clean air in domestic ventilation systems, especially in autumn and winter, as well as in industrial installations requiring a constant temperature of blown air.

ECH heaters also work as pre-heaters or secondary heaters, complementing installations based on ventilation units with heat recovery.

Design

The heater cover is made of steel sheet coated with a high-quality aluzinc coating, which guarantees high corrosion resistance.

The heating elements are made of AISI 304 stainless steel.

The junction box has an IP44 protection class.

Power of heating elements

Power [kW]	Heating elements [kW]	Power [kW]	Heating elements [kW]
9	9	36	9+12+15
12	12	39	9+15+15
15	15	42	12+15+15
18	9+9	45	12+15+18
21	9+12	51	9+12+12+18
24	9+15	54	9+12+15+18
27	12+15	60	12+15+15+18
30	15+15	66	15+15+18+18
33	15+18	-	-

Accessories



PSH

Pressure switch
page 173



TJK10K

Duct temperature sensor
page 173



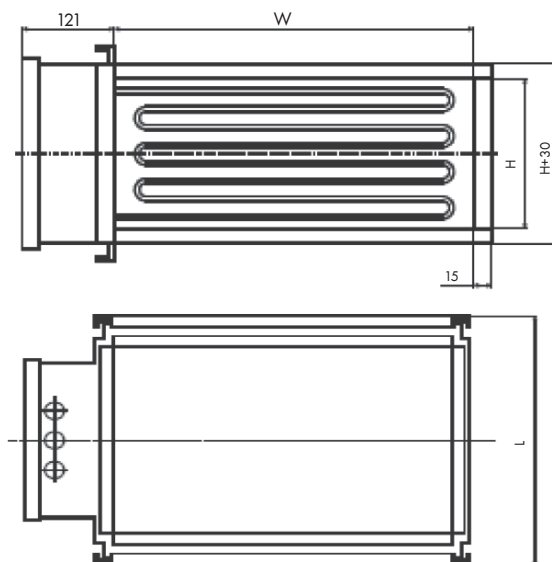
HRK3

Three-phase heater controller
page 174



HR5K

External temperature setpoint
page 174



Standard dimensions [mm]

ERH-4020; WxH = 400x200

Length L	mm	370	420	520		
Power	kW	6	9	12	15	21

ERH-5025; WxH = 500x250

Length L	mm	370	420	520	600	820	970	
Power	kW	9	12	15	21	24	36	45

ERH-5030; WxH = 500x300

Length L	mm	370	440	520	600								
Power	kW	9	12	15	18	21	24	27	30	33	36	42	45

ERH-6030; WxH = 600x300

Length L	mm	370	440	520	600								
Power	kW	9	12	15	18	21	24	27	30	33	36	42	45

ERH-6035; WxH = 600x350

Length L	mm	370	420	500										
Power	kW	9	12	15	18	21	24	27	30	33	36	39	42	45

ERH-7040; WxH = 700x400

Length L	mm	370	440	520												
Power	kW	9	12	15	18	21	24	27	30	33	36	42	45	51	60	66

ERH-8050; WxH = 800x500

Length L	mm	370	420	440	500													
Power	kW	9	12	15	18	21	24	27	30	33	36	39	42	45	51	54	60	66

ERH-10050; WxH = 1000x500

Length L	mm	370	420	440	500													
Power	kW	9	12	15	18	21	24	27	30	33	36	39	42	45	51	54	60	66

*Other dimensions and heating powers are available on request.