



Single blade damper DSCB



Rounded, reinforced
"SAFE" edges



Automatic linear
welding

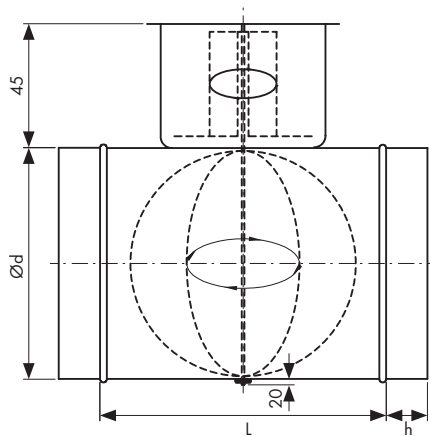


Top quality
galvanised steel
275 g/m²

Description

Single blade regulating damper - DSCB, made from top quality galvanized steel (275 g/m²). Fully automated linear welding process. Regulating mechanism for wool insulation.

Technical drawing



Dimensions [mm]

Ød nom	L	h	kg	pcs/box	box type
80	90	40	0,34		on request
100	90	40	0,39	50	P6
125	90	40	0,43	35	P6
150	90	40	0,60	30	P4
160	90	40	0,66	35	P4
200	90	40	0,80	50	P2
250	90	50	1,30	48	P1
315	90	50	1,77	32	P1
355	90	50	2,05	20	P1
400	90	50	2,85	15	P1
450	90	75	2,7	10	P1
500	90	75	3,4	4	P2
560	90	75	4,07	5	P1
630	90	75	5,00	4	P1
710	90	75	5,59	-	-
800	90	100	6,6	-	-
900	90	100	9,2	-	-
1000	90	100	10,39	-	-



Packaging method on page 38