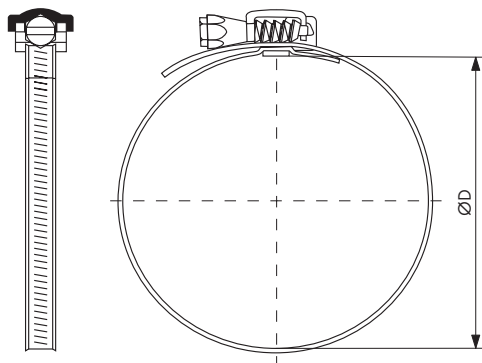




Steel band CFS

"CFS" steel strap clamps for flexible ducts. Box of 100.



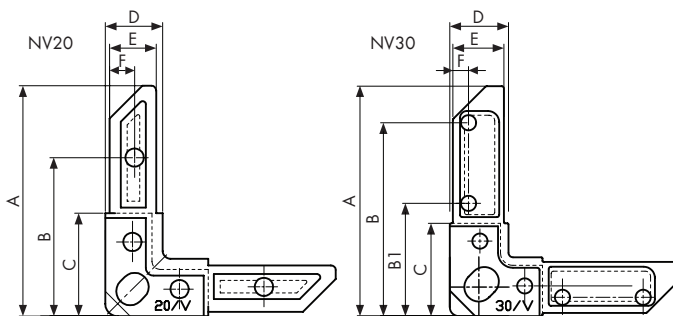
Dimensions [mm]

| Model | Diameter range [mm] | Model | Diameter range [mm] |
|---------|---------------------|---------|---------------------|
| CFS-110 | 60 - 110 | CFS-270 | 60 - 270 |
| CFS-135 | 60 - 135 | CFS-320 | 60 - 320 |
| CFS-165 | 60 - 165 | CFS-525 | 60 - 525 |

Flange profile corner NV

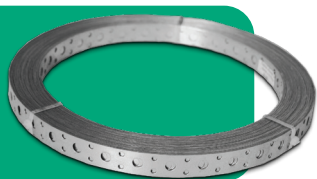


Ventilation flange profile corners are made of galvanised steel, for rectangular ducts assembly.



Dimensions [mm]

| Model | A | B | B1 | C | D | E | F |
|-------|-------|------|------|------|------|------|---|
| NV20 | 73,8 | 50,8 | - | 33 | 18,4 | 14,9 | 8 |
| NV30 | 102,9 | 86,5 | 50,4 | 41,5 | 26,3 | 22,9 | 7 |



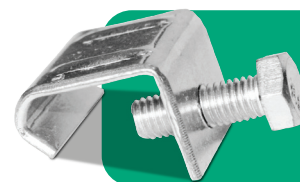
Perforated band DPH

Perforated tape to suspend ventilation ducts, made of galvanized steel.

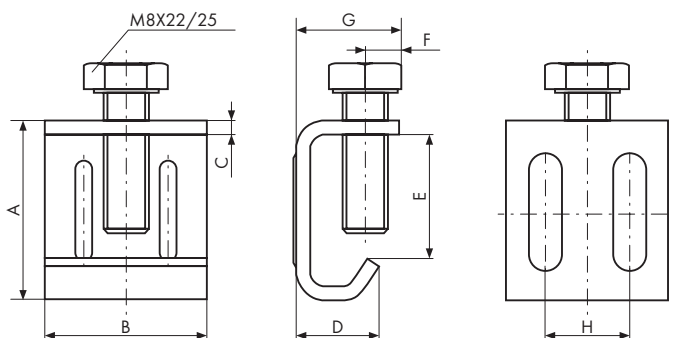
Dimensions [mm]

| Width | Thickness | Length [m] |
|-------|-----------|------------|
| 17 | 0,6 | 25 |
| 25 | 0,6 | 25 |

G-Clamp GCV



Ventilation galvanized steel g-clamps GCV allows a secure connection of rectangular duct edges.



Dimensions [mm]

| Model | A | B | C | D | E | F | G | H |
|---------|------|------|-----|----------|------|---|------|------|
| GCV 2,5 | 32 | 28,6 | 2,5 | 15±0,5 | 22 | 6 | 18,3 | 15 |
| GCV 3,0 | 32,5 | 29 | 3 | 15,2±0,5 | 21,8 | 7 | 19,5 | 15,5 |



Flange profile PK

Rectangular duct flange, galvanised. Enhances duct or fitting flange. Enables flanged assembly by "GCV" clamps or through slide-in profile.

Dimensions [mm]

| Model | Height | Length |
|-------|--------|--------|
| PK20 | 20 | 2500 |
| PK20 | 20 | 5000 |
| PK30 | 30 | 5000 |