

Take-off with mesh ILGB



Automatic linear
welding

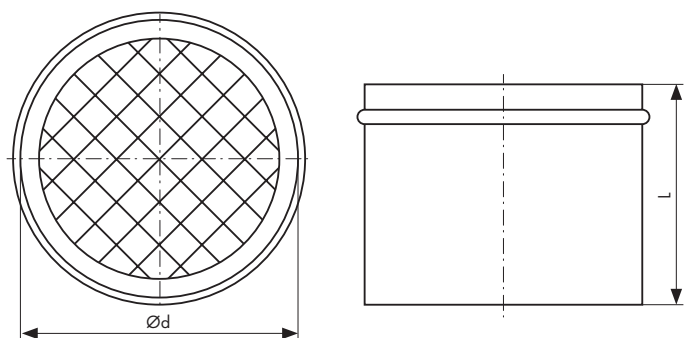


Top quality
galvanised steel
275 g/m²

Description

Take-off with mesh - "ILGB", made from top quality galvanised steel (275 g/m²). Fully automated linear welding process.

Technical drawing



Dimensions [mm]

Ød nom	L	pcs/box	box type
80	55	65	P24
100	55	37	P24
125	55	63	P12
150	55	40	P12
160	55	36	P12
200	55	50	P6
250	55	36	P6
315	55	20	P6
355	55	20	P6
400	55	20	P4
450	65	30	P2
500	65	25	P2
560	65	25	P2
630	65	-	-
710	65	-	-
800	115	-	-
900	115	-	-
1000	115	-	-



Packaging method on page 38